

# DURA

LAMP

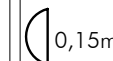
ARTICOLO/ITEM : 06090/IN, 06091/IN 230V 50/60 Hz with electronic CFL GU10-7W  
ARTICOLO/ITEM : 06090-C/IN, 06091-C/IN 240V 50/60Hz with electronic CFL GU10-7W

30° MAX. DIRECTIONAL RECESSED FIXTURE FOR GU107W ELECTRONIC CFL ONLY.

THE FIXTURE MUST BE INSTALLED BY A QUALIFIED ELECTRICIAN. DURALAMP IS NOT RESPONSIBLE WHETHER ITS FIXTURES ARE NOT INSTALLED ACCORDING TO LOCAL SAFETY STANDARDS. LEAVE A COPY OF THIS INSTRUCTION SHEET TO THE PERSON RESPONSIBLE FOR MAINTENANCE. HOLD THE LABEL OF THE ORIGINAL PACKAGE FOR ANY EVENTUAL FUTURE CLAIM.

DISCONNECT THE FIXTURE FROM THE MAINS BEFORE RELAMPING. THE LUMINAIRE SHALL, UNDER NO CIRCUMSTANCES, BE COVERED WITH INSULATING MATTING OR SIMILAR MATERIAL.

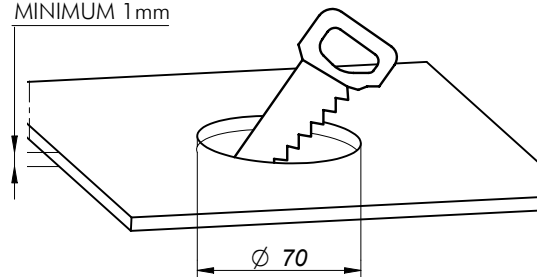
IP20 □ ▽ ▽ ▽ CE



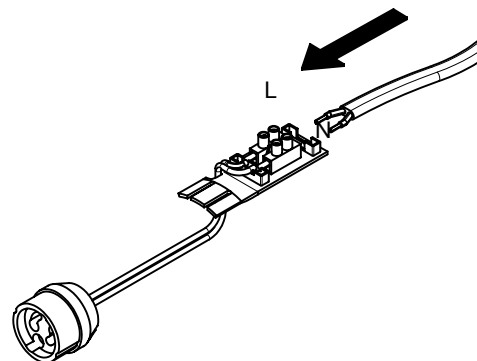
I - IL SIMBOLO INDICA LA DISTANZA MINIMA FRA LAMPADA E OGGETTI ILLUMINATI.  
GB - THE SYMBOL SHOWS THE SHORTEST DISTANCE OF THE LAMP TO THE ILLUMINATED OBJECT.  
F - LE SYMBOLE MONTRE LA DISTANCE LA PLUS COURTE ENTRE LA LAMPE ET L'OBJET ILLUMINE  
D - DAS SYMBOL ZEIGT DEN KURZESTEN ABSTAND DER LAMPE ZUM FEUERGEFÄHRLICHEN MATERIAL

1

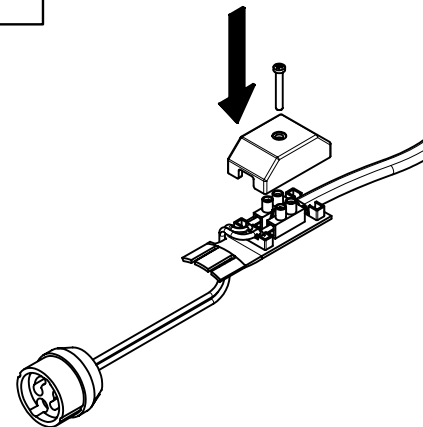
MINIMUM 1mm



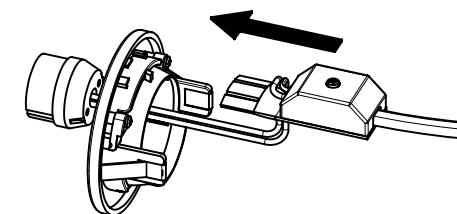
2



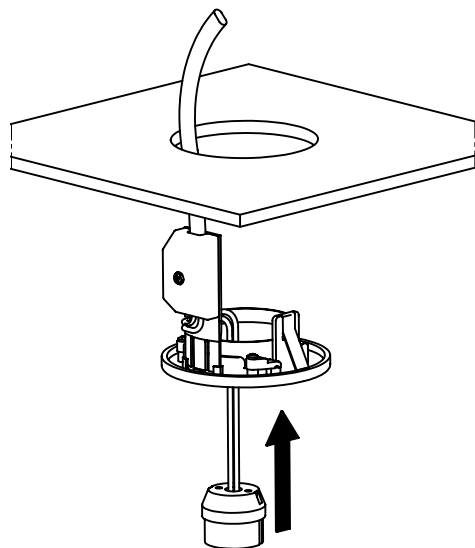
3



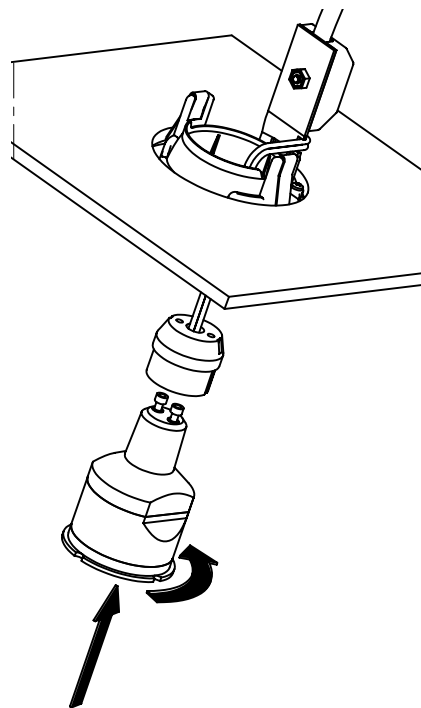
4



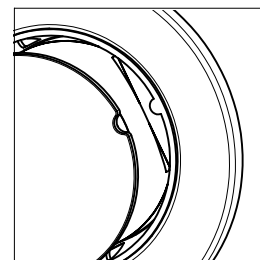
5



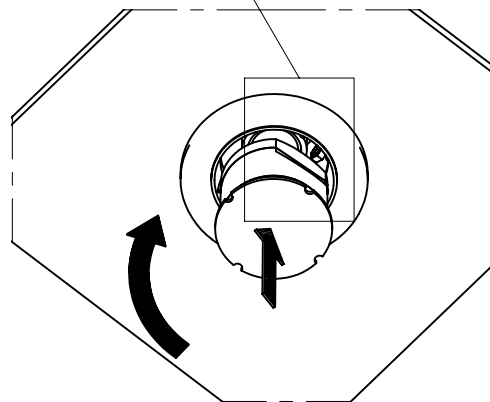
6



7



INSERT THE LAMP + LAMPHOLDER INSIDE THE SUSTAINING RING AND ROTATE AFTER HAVING PUT THE LATERAL HOLES OF THE LAMP MATCHING THE SMALL TEETH OF THE RING



8

